

**LIGHTZERO**  
DC POWERED LIGHTING

PROGRAMMABLE DIMMER

# 5 Button Tunable White

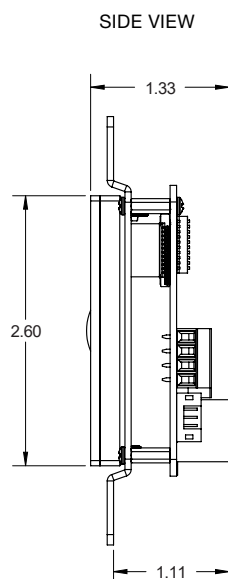
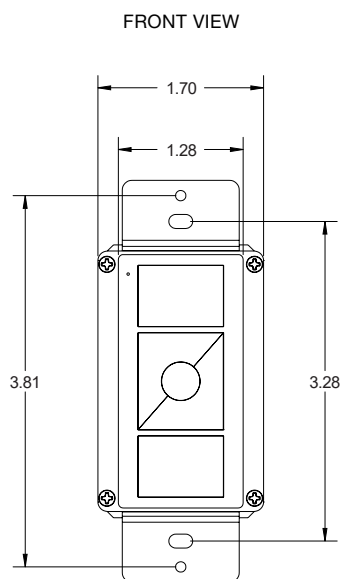
## Full control at your fingertips

User friendly, tactile wall control providing dimming, color-tuning and on/off for single or multiple zones of illumination. Can be used in single or multi-switch (3-way) mode.

DIP switches provide selection of DMX-512 “start” and “stop” channels. RJ-45 input and output jacks allow switches to be installed in series for efficient cable runs.

4-pin terminal block for Occupancy and Daylight Harvesting Sensor input, allowing direct communication to the Digital Light Modules. Easy to install and user-friendly for configuration of rooms or zones.

## DIMENSIONS



CERTIFICATIONS:



(888) 890-0094 • [www.lightzero.com](http://www.lightzero.com)

**LIGHTZERO**  
DC POWERED LIGHTING