

# Dome Fixture

SPECIALIZED APPLICATION

## Maximum brightness, unrivaled efficiency.

Designed specifically for applications where 24 VDC or 48 VDC applications. For solar, wind, storage battery, etc. applications, eliminates the need for inverters to provide AC power which decreases power usage by 20% to 30%.

Ten and twenty watt versions with 3,000K, 4,200K or 6,000K color temperatures allows the lighting designer to create the level and color of illumination required. Diffusion dome illuminates a large area without producing glare.

## Construction

Rugged aluminum, stainless steel and polycarbonate construction eliminates oxidation and provides an IP 66 water resistant rating for outdoor applications.

Available in white or black electrostatically applied three-stage architectural powder coat.

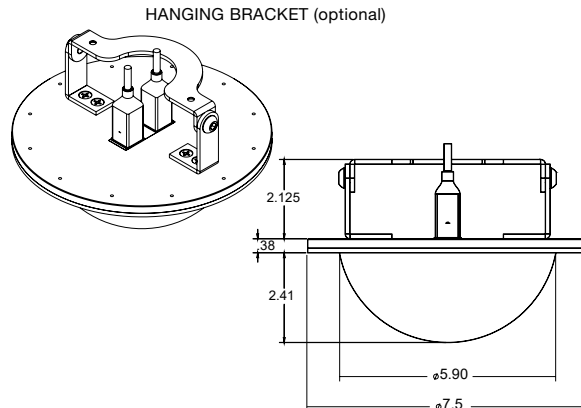
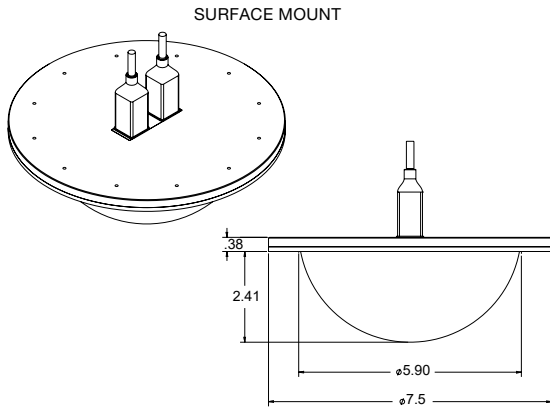
Fixture can be mounted directly to a flat surface using the mounting holes provided around the perimeter of the fixture or ordered with the optional rotating hanging bracket.



DIFFUSED - DIRECT DC

# Dome Fixture

## DIMENSIONS



### Part Numbers:

Example

DF-H-3-H

DF-            H-                            3    H

---

Product   LED Intensity            Color Temperature            Mounting Option

### LED Intensity:

**H** = High Power LEDs (10 Watts Each)

**L** - Low Power LEDs (20 Watts Each)

### Color Temperatures:

**3** = 3,000K

**4** = 3,500K

**5** = 4,200K

**6** = 5,000K

*Other color temperatures available - Contact Factory.*

**S** = Surface Mount | **H** = Hanging Bracket

### LED LIGHT COLOR:



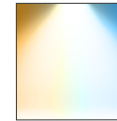
Warm White



Neutral White



Cool White



Tunable White

### FEATURES:

- No UV or IR radiation
- Easy to install and mount, featuring integral spring fixture retention clamps
- Maintenance free
- Suitable for indoor/outdoor temperatures from -4 to +122 degrees F (-20 to +50 C)
- Solid-state construction vibration resistant
- LEDs are super bright, high intensity and low power consumption
- Extremely long life: up to 100,000 hours (LM70)
- Fixture is IC rated and suitable for direct contact with insulation
- No RF interference

### CERTIFICATIONS:



SPECIFICATIONS	
Power Consumption	Low Power LEDs = 10 Watts   High Power LEDs = 20 Watts
Luminous Flux	Low Power LEDs = 1500 Lumens   High Power LEDs = 3000 Lumens
Beam Angle	120 Degrees
Dimming	0-100%
Housing Color	White
Fixture Material	Aluminum Housing
Operating Temperature	-4 degrees F (-20 C) to +122 degrees F (+50 C)
Expected Lifespan	100,000 hours (L70)
Warranty	10 years
Input Voltage	48VDC
Standards/Certifications	Made in USA, ETL Listed, RoHS, CE
Suitable Uses	Indoors - Dry Locations - SEALED OPTION AVAILABLE

(888) 890-0094 • www.lightzero.com

**LIGHTZERO**  
DC POWERED LIGHTING