

Diffused Luminaire

COMMERCIAL APPLICATION

Maximum brightness, unrivaled efficiency.

A **superior edge-lit** flat panel fixture **manufactured** in the U.S.A.

Uniform, glare-free, dimmable to 0%. **Perfect for applications of all kinds, less than 1" plenum space required.**

Offering illumination performance unavailable from other manufacturers: **180 Lumens per watt, CRI 97, 100,000 hour life (L70).**

ETL Listed. RoHS compliant. Mercury free, no IR or UV radiation. EM/RF interference free. White powder coat finish.

Available in:

- 3,000K
- 3,500K
- 4,200K
- 5,000K
- **Tunable-White** (3,000K - 6,000K)
(Tunable range can be specified - contact Factory)

Offered in 2' X 2', 2' X 4', 1' X 2' and 1' X 4' sizes.

Connects to our **Digital Light Module** using Cat-5 cable or hard wire, providing the simplest, most cost-effective installation available.

- Thin profile - less than 1.75 "
- Standard recessed T-Bar fit for common ceiling grids
- Class 2 Power, **no conduit needed**
- Suspension kit available
- Surface mount kit available
- Standard White Powder Coat Finish
- Diffused PMMA Lens - **no Yellowing**

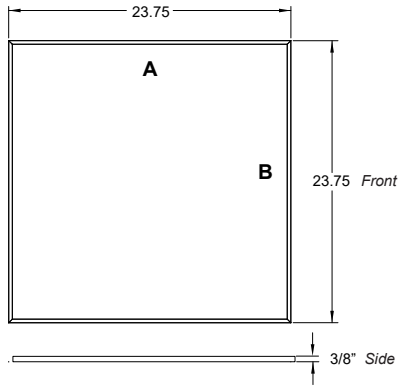


(888) 890-0094 • www.lightzero.com

EDGE LIT - DIRECT DC

Diffused Luminaire

DIMENSIONS

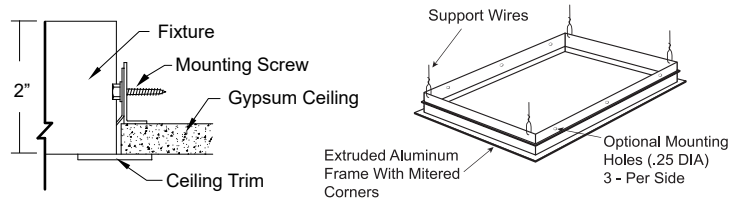


	A	B
1 x 2	11.75	23.75
1 x 4	11.75	47.75
2 x 2	23.75	23.75
2 x 4	23.75	47.75

All measurements shown in Inches

MOUNTING ACCESSORIES

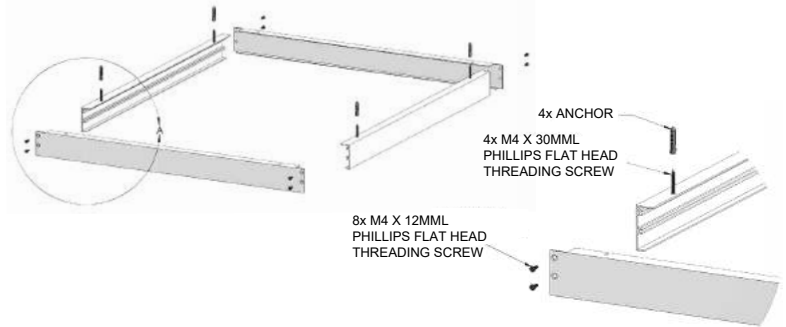
HARD LID GRID ADAPTER KIT (SOLD SEPARATELY)



Ordering Information:
 2x2 = Grid Adapter kit-2x2
 2x4 = Grid Adapter kit-2x4

SURFACE MOUNT ADAPTER KIT (SOLD SEPARATELY):

INCLUDED PARTS



Part Numbers:

Example

FPEL-TW-024-024

FPEL- TW- 024- 024
 Product Color Temperature Size Size

Size: 024-024 = 2' x 2' | 024-048 = 2' x 4'

Color Temperatures:

3 = 3,000K

4 = 3,500K

5 = 4,200K

6 = 5,000K

TW = Tunable-White (3000K - 6000K)

LED LIGHT COLOR:



Warm White Neutral White Cool White

FEATURES:

- No UV or IR radiation, No EM/RF interference
- Easy to install - Fixtures can be daisy-chained
- Maintenance free. No LED driver failures to replace
- Suitable for indoor/outdoor temperatures from -4 to +122 degrees F (-20 to +50 C)
- Solid-state construction shock and vibration resistant
- LEDs are super bright, high intensity and low power consumption
- Extremely long life: up to 100,000 hours (L70)
- IC Rating not applicable due to 48VDC inherently safe per NEC
- Recyclable at end of life

CERTIFICATIONS:



SPECIFICATIONS	
Power Consumption	47 Watts
Luminous Flux	3200 Lumens (May vary minimally based on LED color)
Beam Angle	120 Degrees
Dimming	0-100%
Housing Color	White
Fixture Material	Die Cast Aluminum Housing
Operating Temperature	-4 degrees F (-20 C) to +122 degrees F (+50 C)
Expected Lifespan	100,000 hours (L70)
Warranty	10 years
Input Voltage	48VDC
Standards/Certifications	Made in USA, ETL Listed, RoHS, CE

(888) 890-0094 • www.lightzero.com

LIGHTZERO
 DC POWERED LIGHTING